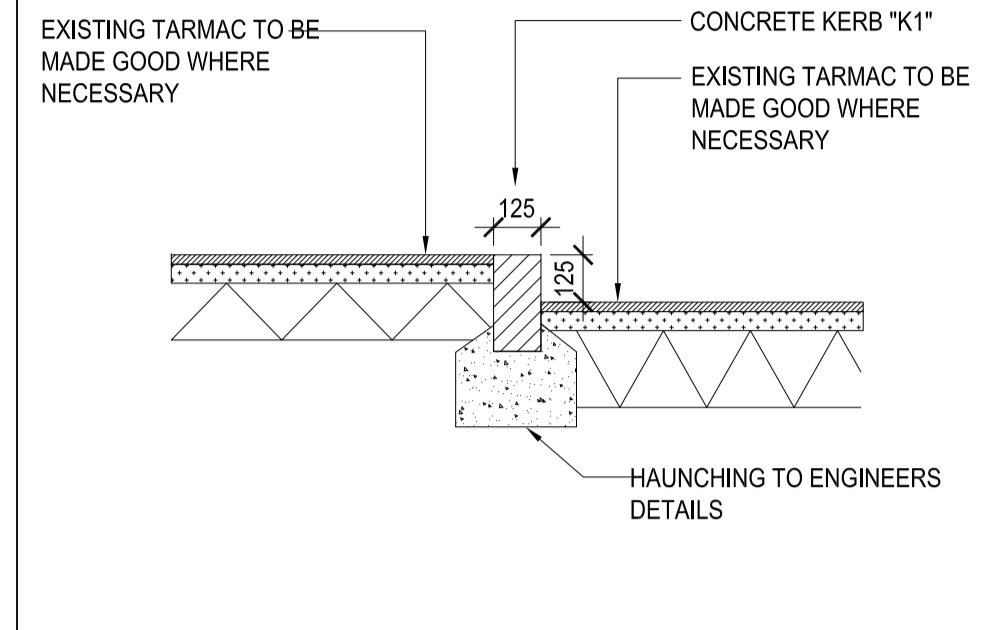


BUILDING DESIGN PARTNERSHIP SHALL HAVE NO RESPONSIBILITY FOR ANY USE MADE OF THIS DOCUMENT OTHER THAN FOR THAT WHICH IT WAS PREPARED AND ISSUED.
 ALL DIMENSIONS SHOULD BE CHECKED ON SITE.
 DO NOT SCALE FROM THIS DRAWING.
 ANY DRAWINGS ERRORS OR DIVERGENCES SHOULD BE BROUGHT TO THE ATTENTION OF BUILDING DESIGN PARTNERSHIP AT THE ADDRESS SHOWN BELOW.

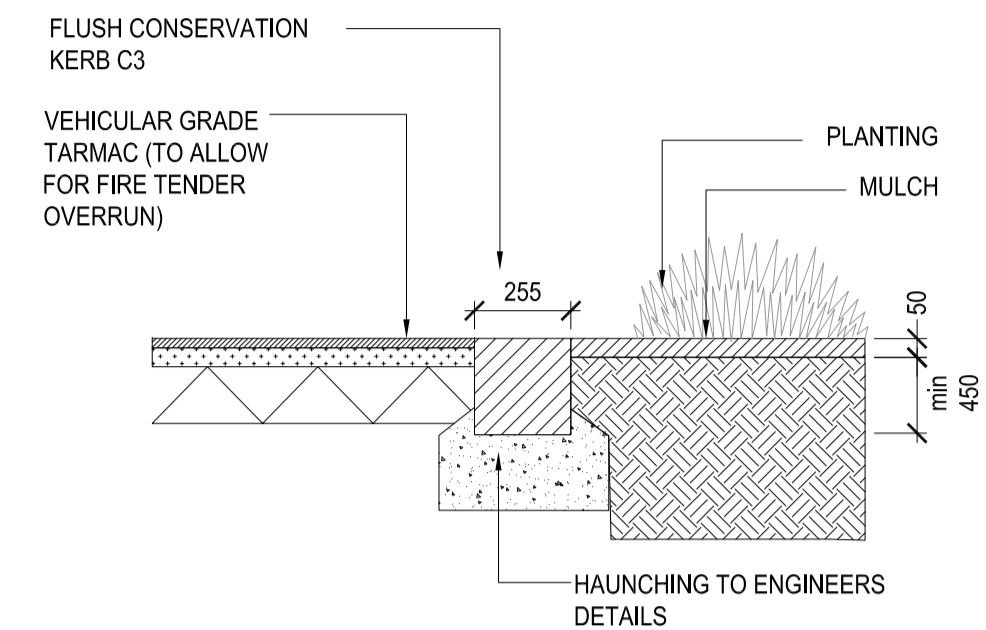
NOTES

TO BE READ IN CONJUNCTION WITH DRAWINGS:

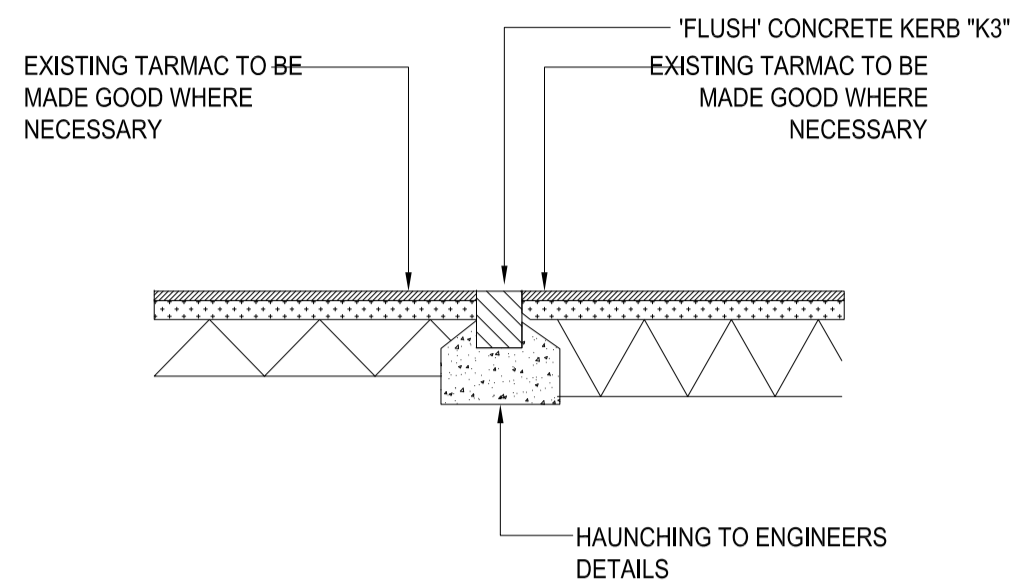
- FAH-BDP-XX-XX-DR-L-90-P002 LANDSCAPE MASTERPLAN
 - FAH-BDP-XX-XX-DR-L-90-P003 LEVELS PLAN
 - FAH-BDP-XX-XX-DR-L-90-P004 SECTIONS
 - FAH-BDP-XX-XX-DR-L-90-P005 TREE REMOVALS PLAN
 - FAH-BDP-XX-XX-DR-L-90-P010 LANDSCAPE GA 1 OF 2
 - FAH-BDP-XX-XX-DR-L-90-P011 LANDSCAPE GA 2 OF 2
 - FAH-BDP-XX-XX-DR-L-90-P201 PLANTING STRATEGY
 - FAH-BDP-XX-XX-DR-L-90-P202 TREE FIT DETAILS
 - FAH-BDP-XX-XX-DR-L-90-P301 TYPICAL CONSTRUCTION DETAILS 1 OF 2
 - FAH-BDP-XX-XX-DR-L-90-P302 TYPICAL CONSTRUCTION DETAILS 2 OF 2
- LANDSCAPE OUTLINE SPECIFICATION
 FAH-BDP-01-XX-SP-L-14-101 - OUTLINE SPECIFICATION



DETAIL 31



DETAIL 32



DETAIL 33

REVISION DESCRIPTION		DATE	REVISION DESCRIPTION		DATE	REVISION DESCRIPTION		DATE	REVISION DESCRIPTION		DATE	REVISION DESCRIPTION		DATE	REVISION DESCRIPTION		DATE	REVISION DESCRIPTION		DATE					
<p>NOTES</p>												<p>CLIENT</p>		<p>2 Bruce Street Belfast BT2 7JD United Kingdom T +44 (0)28 9024 3394 F +44 (0)28 9032 9337 www.bdp.com</p>		<p>BDP.</p>		<p>PROJECT TITLE COVENTRY UNIVERSITY - FACULTY OF ARTS AND HUMANITIES.</p>		<p>DRAWING TITLE TYPICAL CONSTRUCTION DETAILS</p>		<p>SCALE 1:250</p>		<p>DATE MAY 19'</p>	
<p>FIRST ISSUE</p>												<p>CZ EW 02/05/19</p>		<p>P2007391</p>		<p>FAH-BDP-XX-XX-DR-L-90-P303</p>		<p>SHEET 3 OF 3</p>		<p>REVISION</p>					