

NEW Vent-Axia Pure Air

- Removes NOx and other gases
- Removes particles down to PM2.5
- Offers multiple spigot options
- Low pressure drop
- Easy to install with mounting brackets
- Conforms to international or quality guideline limits
- Easy installation & maintenance
- Removes noise to suit residential or commercial applications
- Provides induct noise attenuation
- Insulating jackets available
- New compact unit available

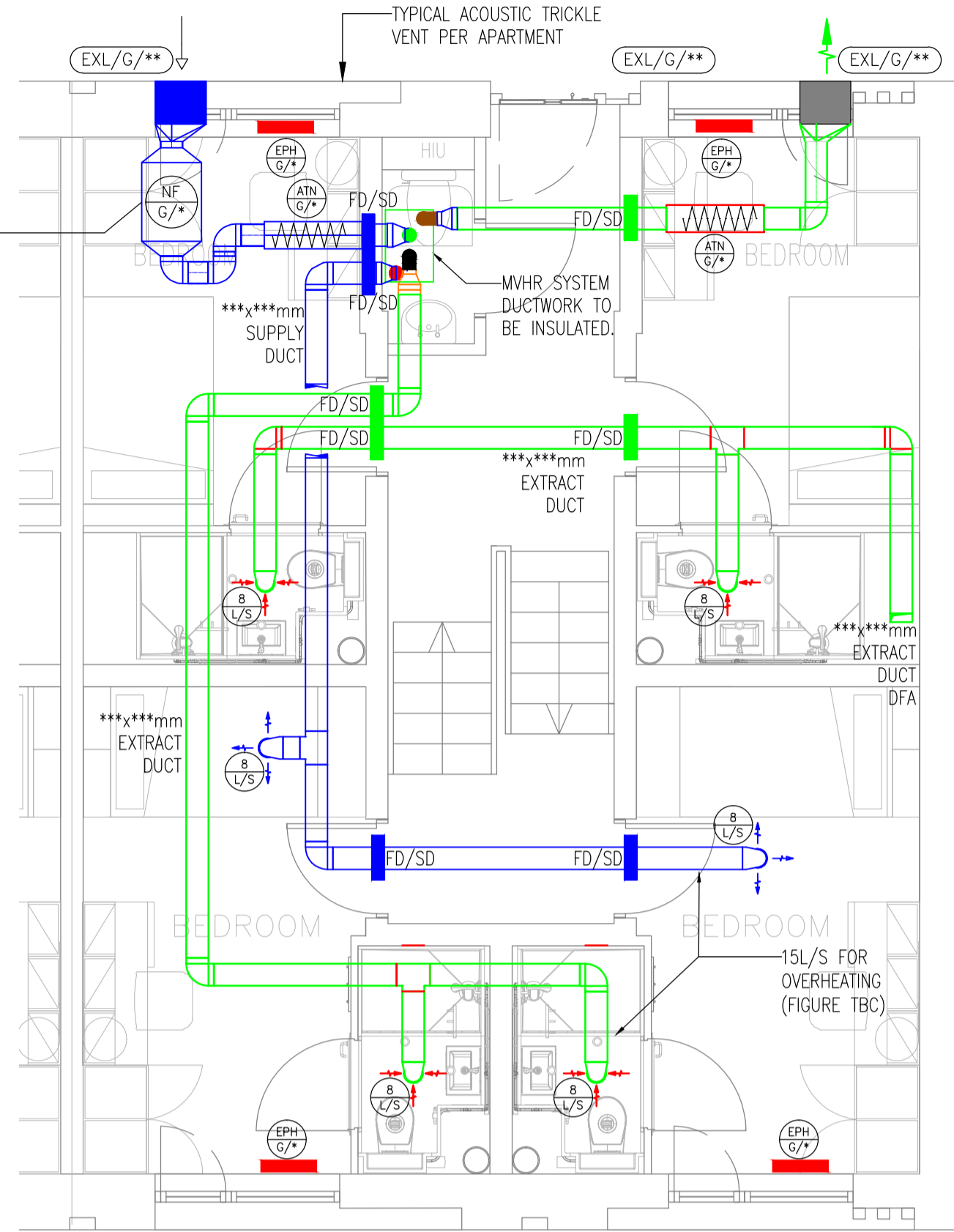


NOX FILTRATION SPECIFICATION:

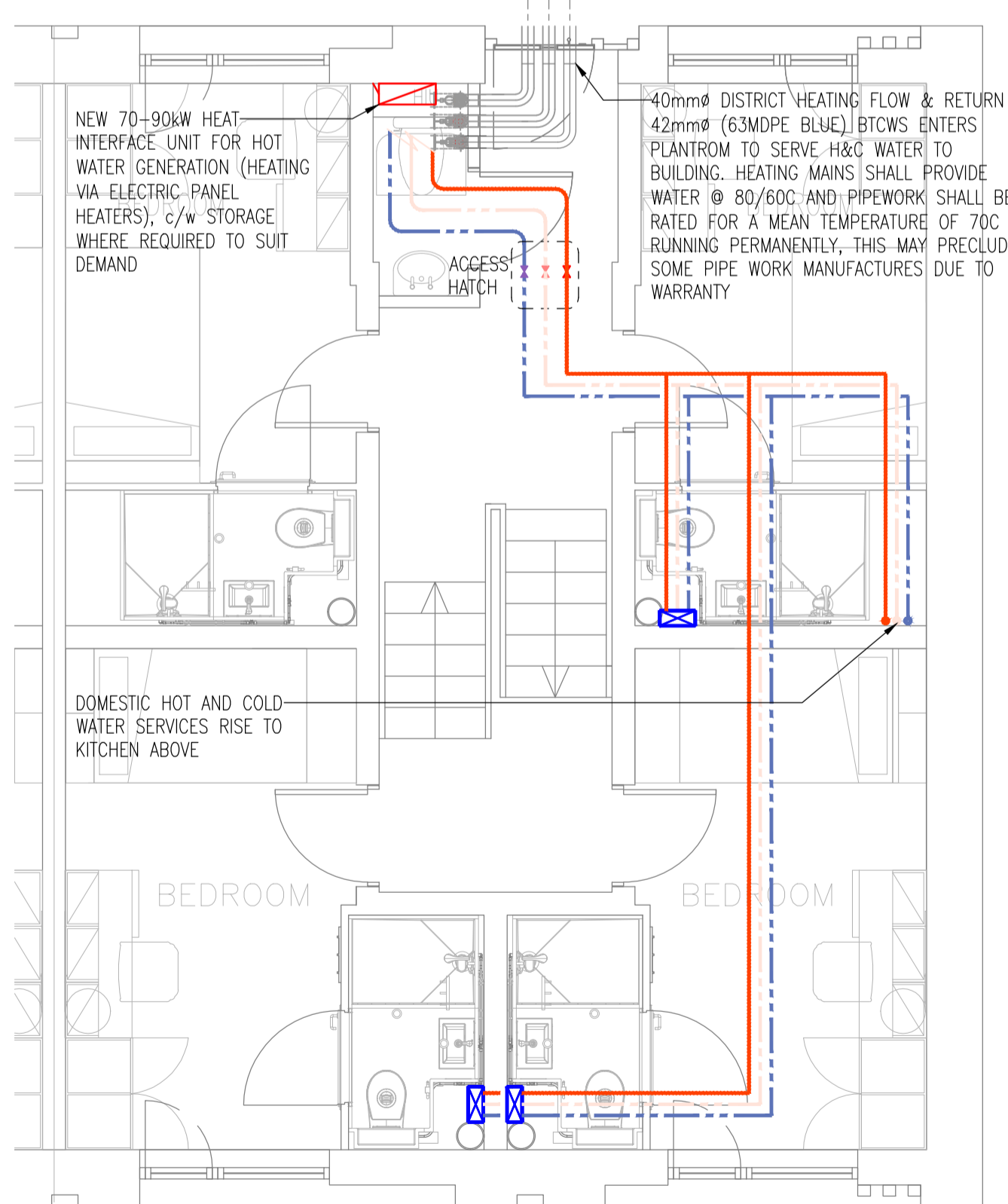
THE UNIT SHALL COMPRISE OF A GALVANISED STEEL OUTER CASING. PHYSICAL MEDIA PANEL FILTERS CONTAINED IN A CARDBOARD HOUSING SHALL BE LOCATED AT BOTH SPIGOT ENDS OF THE UNIT. PANEL FILTERS OF GRADE G4 TO EN779 HAVING AN ARRESTANCE ABOVE 90% MAKING IT SUITABLE FOR THE REMOVAL OF PM10 PARTICULATES. AN ADDITIONAL PARTICULATE FILTER OF GRADE F7 TO EN779 CAN BE INCLUDED TO FURTHER REDUCE SMALLER PARTICLES (PM2.5) TO AN EFFICIENCY BETWEEN 70% AND 80% AT 0.4MM.

INSTALLATION
THE VENT-AXIA PURE AIR MAY BE INSTALLED IN A VERTICAL OR HORIZONTAL ORIENTATION. WHEN INSTALLING ON THE "ATMOSPHERE" SIDE OF THE MVHR UNIT, INSULATED JACKETS ARE AVAILABLE. ACCESS TO FILTERS IS AVAILABLE ON BOTH SIDES VIA BOLTED LIFT OFF PANELS. VARIOUS SPIGOTS INCLUDING RECTANGLE AND ROUND ARE AVAILABLE TO SUIT DUCTWORK SYSTEMS FOR BOTH DOMESTIC AND COMMERCIAL DUCT WORK.

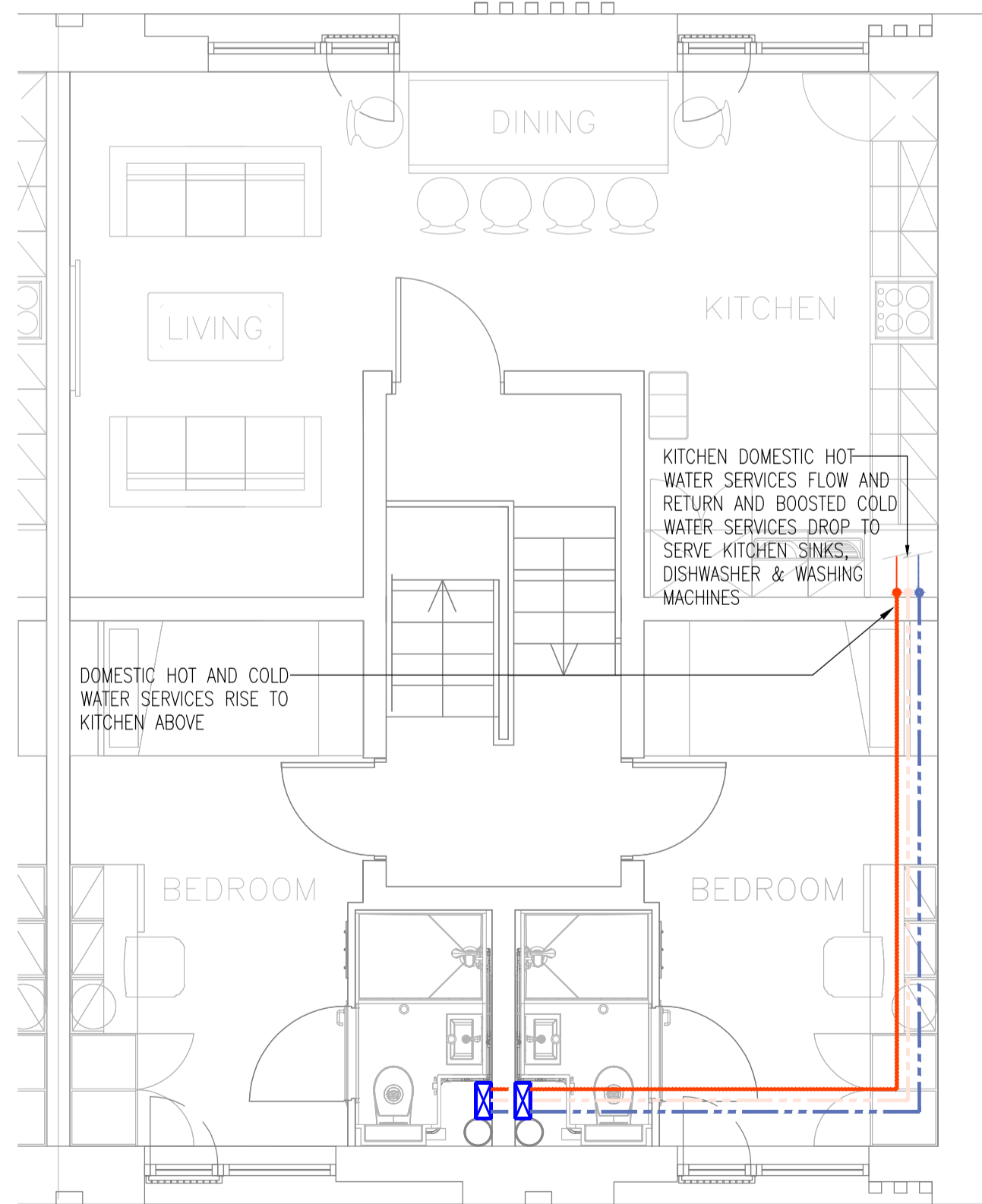
POLLUTANT GASES, NO2, SO2, O3, VOC
A SPECIALLY FORMULATED ACTIVATED CARBON AND CHEMICAL MIX ACTS UPON POLLUTANT CONCENTRATIONS COMMON IN DIRTY CITY AIR, REDUCING THEM TO BELOW GUIDELINES SET BY CURRENT LEGISLATION. GAS AND PARTICULATE FILTERS ARE REMOVABLE FROM EITHER SIDE OF THE UNIT.



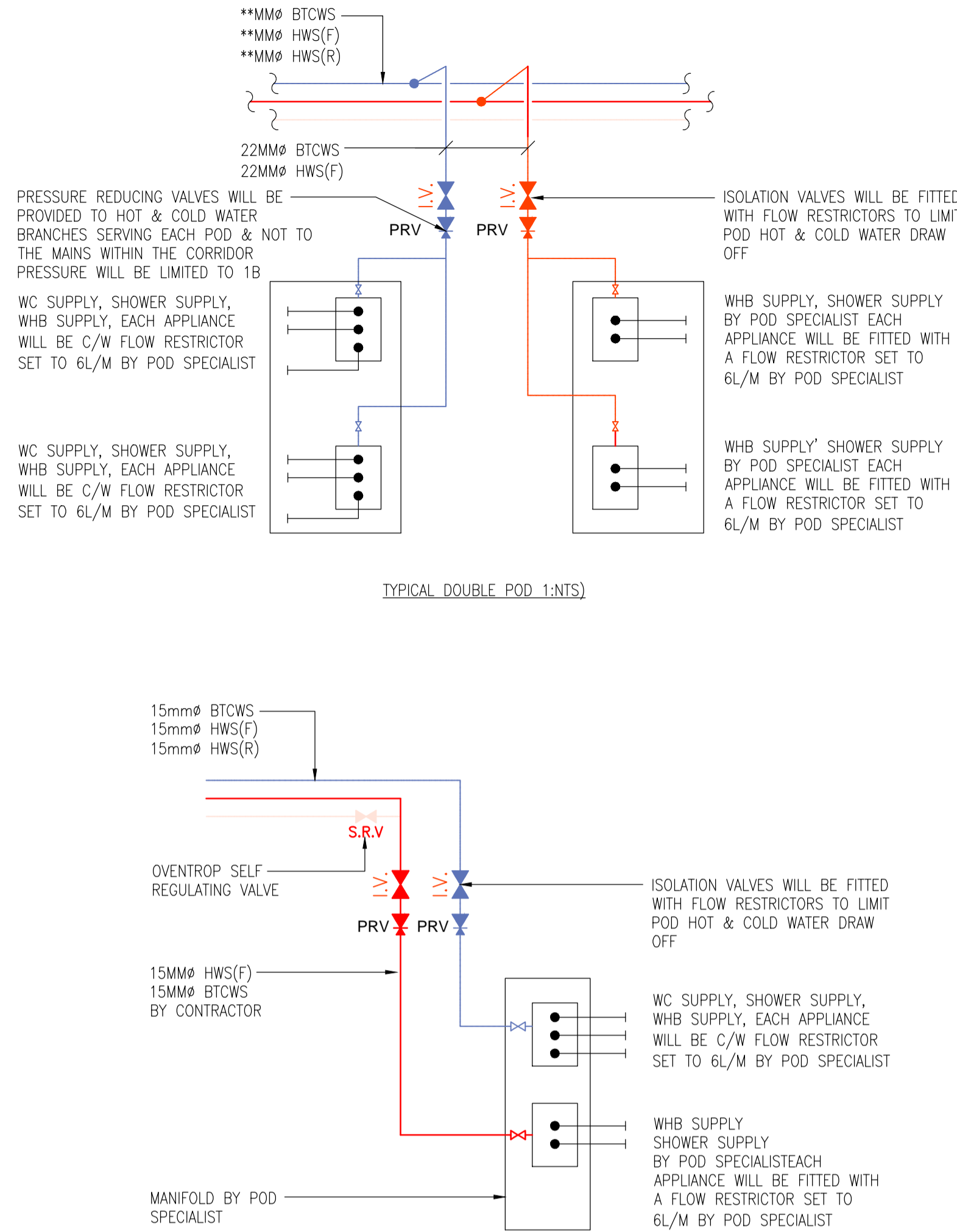
TYPICAL TOWNHOUSE HEATING & VENTILATION SERVICES



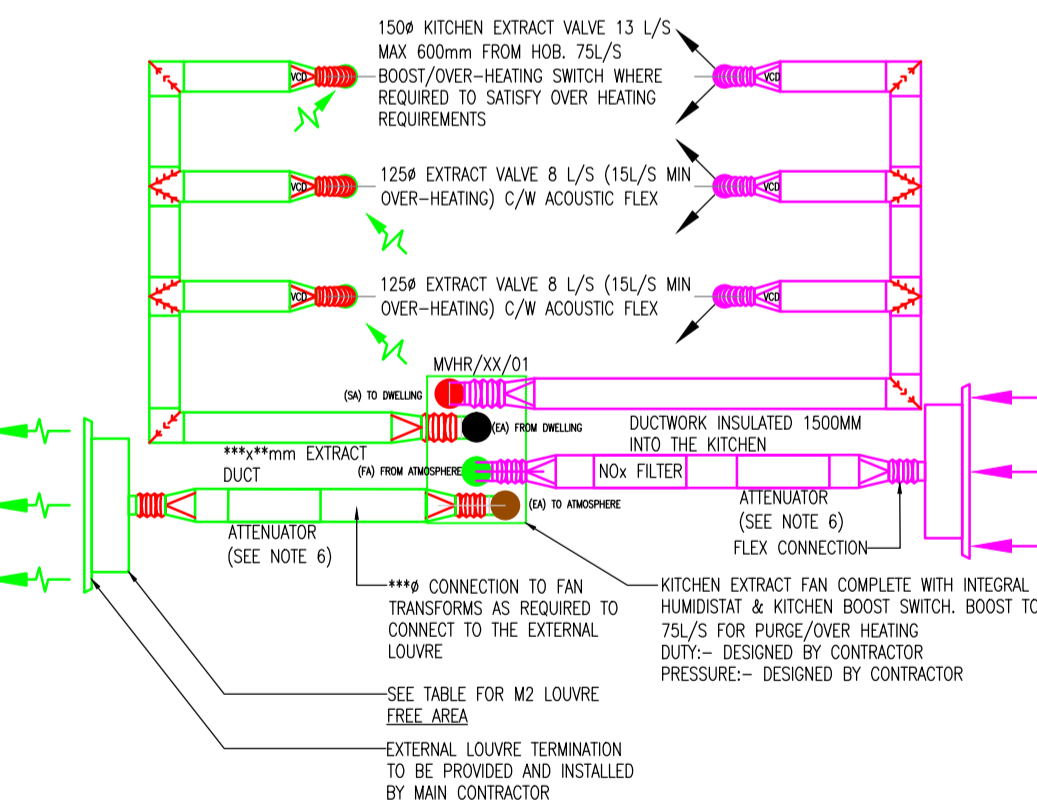
TYPICAL TOWNHOUSE DOMESTIC HOT & COLD WATER SERVICES



TYPICAL TOWNHOUSE VENTILATION INSTALLATION TO SUIT AIR QUALITY REQUIREMENTS



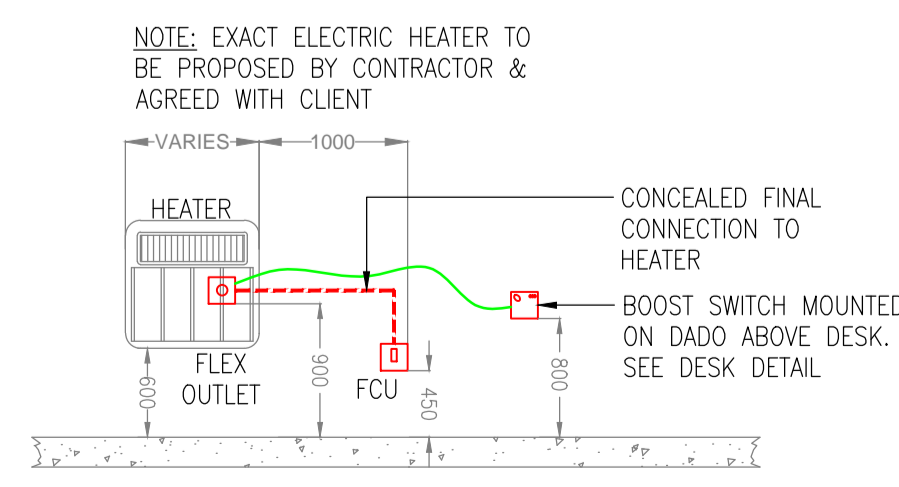
TYPICAL SINGLE POD 1:NTS



TYPICAL TOWNHOUSE VENTILATION INSTALLATION TO SUIT AIR QUALITY REQUIREMENTS

EQUIPMENT - INDICATIVE SCHEDULE		
ROOM TYPE	LOUVER FREE AREA (MIN m2)	EXTRACT/MEV TOT DUTY L/S
KITCHEN	0.007	13
KITCHEN WITH OVERHEATING (OH)	0.038	75
6 BED TOWNHOUSE (BEDS ONLY)	0.024	48
6 BED TOWNHOUSE (OH)	0.048	90

NOTE - ALL LOUVRES WILL BE COLOUR MATCHED IN ACCORDANCE WITH THE ARCHITECTS REQUIREMENTS AND WILL BE COMPLETE WITH PLENUM BOXES. THE CONTRACTOR WILL PRICE ISSUE THE LOUVER AND BOX TO THE CLADDING OR BRICKWORK CONTRACTOR FOR FIXING INTO THE EXTERNAL FACADE. THE BOX WILL BE COMPLETE WITH A SPIGOT THAT WILL EXTEND INTO THE ROOM FOR CONNECTION BY THE DUCTWORK CONTRACTOR DURING THE FIRST FIX WORKS. AIR VOLUMES TO BE FULLY CONFIRMED AT THE NEXT STAGE BY THE MAIN DESIGN CONSULTANTS. FOR AIR VOLUMES OVER 100L/S, 2ND MARS TO BE USED PER CLUSTER (140 PER BANK OF 4/5 BEDROOMS) TO ACHIEVE OVERHEATING/PURGE REQUIREMENTS



DETAIL 1 - EQUIPMENT MOUNTING HEIGHTS

- LEGEND**
- CONTINUOUS EXTRACT UNIT
 - CEILING MOUNTED EXTRACT ADJUSTABLE DIFFUSER
 - FIRE DAMPER
 - EXHAUST LOUVER
 - CEILING-MOUNTED EXTRACT FAN, OPERATED VIA P.I.R WITH OVERRUN TIMER
 - 600x600 CASSETTE UNIT, WITH MINIMUM 600x300 ACCESS PANEL REQUIREMENT TO SIDE OF UNIT
 - WALL-MOUNTED UNIT CONTROLLER
 - SUMMERTIME BOOSTER SWITCH ENHANCES VENTILATION ON DEMAND LINKED TO VENT AXIA MECHANICAL EXTRACT FAN
 - ELECTRIC PANEL HEATER
 - CROSS-TALK ATTENUATOR
 - MVHR - HEAT RECOVERY UNIT
 - NOx FILTRATION UNIT

Revisions				
Index	Description	Drawn & Chk by	Rev'd by	Date
T1	STAGE 4 TENDER	KVV	DO	12/10/18
T2	NOx FILTRATION ADDED TO SUPPLY VENTILATION SYSTEM CHANGED TO M.V.H.R TO ALL TOWNHOUSES DUE TO POLLUTION	KVV	DO	03/04/19
T3	NOx FILTRATION SPECIFICATION ADDED	KVV	DO	04/04/19

- NOTES**
- THIS SYSTEM SHALL BE INSTALLED AND COMMISSIONED TO COMPLY WITH THE 2010 BUILDING REGULATIONS PART F - MEANS OF VENTILATION AND THE DESIGN SPECIFICATION DOCUMENTS, INCORPORATING 2010 & 2013 AMENDMENTS.
 - THE COMMISSIONED SYSTEM SHALL COMPLY WITH THE 16TH EDITION IEE BS7671 PART 7 (ADDITIONAL WORKS).
 - EACH STUDIO VENTILATION UNIT SHALL BE HORIZONTALLY MOUNTED WITHIN THE KITCHEN CEILING VOID AS INDICATED ON THE DRAWING.
 - EACH STUDIO VENTILATION UNIT SHALL RUN AT CONTINUOUS TRICKLE WITH BOOST BEING ACTIVATED VIA SWITCH IN THE KITCHEN OR INTEGRAL HUMIDISTAT SENSOR. BOOSTED TO MAXIMUM FOR OVERHEATING.
 - DUCTING TO ATMOSPHERE SHALL BE VIA 220x90mm RECTANGULAR RIGID DUCTING TO EXTERNAL ARCHITECTURAL LOUVRES WITH BACK PLENUM BOXES.
 - ATTENUATION SHOWN IS INDICATIVE ONLY - THE MECHANICAL SUB-CONTRACTOR MUST REFER TO ACOUSTIC REPORT AND COMPLY WITH THE REQUIREMENTS THEREIN.
 - ALL DIRECT ELECTRIC HEATERS WILL BE COMPLETE WITH A WALL MOUNTED PRESET TIME TEMPERATURE CONTROLLER WHICH WILL HAVE AN ADJUSTABLE PRESET 0.5/1/2HR TIME FUNCTION THE CONTROL WILL ALSO BE C/W A SETBACK FACILITY WHICH WILL REVERT BACK TO FROST WHEN NOT USED FOR A SPECIFIED PERIOD.
 - NOx FILTRATION SPECIFICATION:
THE UNIT SHALL COMPRISE OF A GALVANISED STEEL OUTER CASING. PHYSICAL MEDIA PANEL FILTERS CONTAINED IN A CARDBOARD HOUSING SHALL BE LOCATED AT BOTH SPIGOT ENDS OF THE UNIT. PANEL FILTERS OF GRADE G4 TO EN779 HAVING AN ARRESTANCE ABOVE 90% MAKING IT SUITABLE FOR THE REMOVAL OF PM10 PARTICULATES. AN ADDITIONAL PARTICULATE FILTER OF GRADE F7 TO EN779 CAN BE INCLUDED TO FURTHER REDUCE SMALLER PARTICLES (PM2.5) TO AN EFFICIENCY BETWEEN 70% AND 80% AT 0.4MM.
 - INSTALLATION
THE VENT-AXIA PURE AIR MAY BE INSTALLED IN A VERTICAL OR HORIZONTAL ORIENTATION. WHEN INSTALLING ON THE "ATMOSPHERE" SIDE OF THE MVHR UNIT, INSULATED JACKETS ARE AVAILABLE. ACCESS TO FILTERS IS AVAILABLE ON BOTH SIDES VIA BOLTED LIFT OFF PANELS. VARIOUS SPIGOTS INCLUDING RECTANGLE AND ROUND ARE AVAILABLE TO SUIT DUCTWORK SYSTEMS FOR BOTH DOMESTIC AND COMMERCIAL DUCT WORK.
 - POLLUTANT GASES, NO2, SO2, O3, VOC
A SPECIALLY FORMULATED ACTIVATED CARBON AND CHEMICAL MIX ACTS UPON POLLUTANT CONCENTRATIONS COMMON IN DIRTY CITY AIR, REDUCING THEM TO BELOW GUIDELINES SET BY CURRENT LEGISLATION. GAS AND PARTICULATE FILTERS ARE REMOVABLE FROM EITHER SIDE OF THE UNIT.

Architect: **DLA DESIGN**

Client: **KIER**

TENDER

FUTURESERV
DESIGN ENGINEER SUSTAIN

Calls Wharf - 2 The Calls - Leeds - LS2 7JU
fl +44 (0)113 237 2700 | enquires@futureserv.co.uk | www.futureserv.co.uk

Project Title: **STONEY STANTON ROAD COVENTRY**

Drawing Title: **MECHANICAL SERVICES TYPICAL TOWNHOUSE LAYOUT TYPE 1 (MVHR)**

Project No: **Y5039**

Drawn & Checked by: **KVV**

Reviewed by: **DO**

Date: **OCTOBER 2018**

Scale: **1:50 @ A1**

Drawing No: **Y5039-50-X-005** Rev. **T3**

THIS DRAWING IS FOR ILLUSTRATION PURPOSES ONLY TO SHOW DESIGN INTENT. THE M&E CONTRACTOR IS FULLY RESPONSIBLE FOR ALL ASPECTS OF THE DESIGN, CALCULATIONS AND INSTALLATION CO-ORDINATION WITH ALL OTHER TRADES.